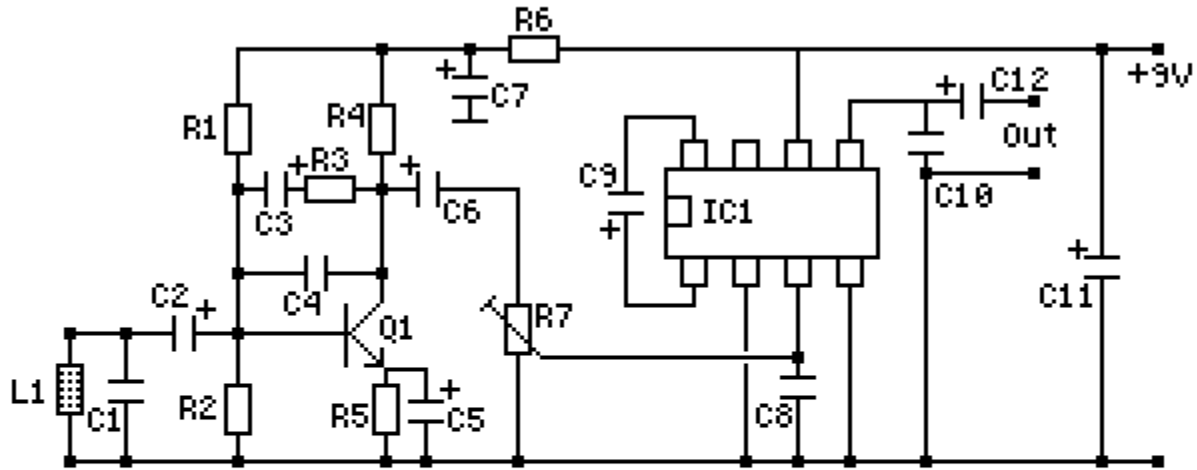


# Telefon-Mithörverstärker

## TELEPHONE AMPLIFIER with LM 386



IC1= LM 386 N  
R1= 68k  
R2= 27k  
R3= 82k  
R4= 5,6k  
R5= 2,7k  
R6= 150  
R7= 10k var  
Q1= BC 547B

C1= 10nF  
C2= 2,2uF/16V  
C3= 1uF/16V  
C4= 2,2nF  
C5= 2,2uF/16V  
C6= 2,2uF/16V  
C7= 100uF/16V  
C8= 4,7nF  
C9= 10uF/16V  
C10= 47nF

C11= 220uF/16V  
C12= 100uF/16V  
L1= telephone coil  
Out= speaker 8 ohms,  
200mW

[www.trigonal.de](http://www.trigonal.de)